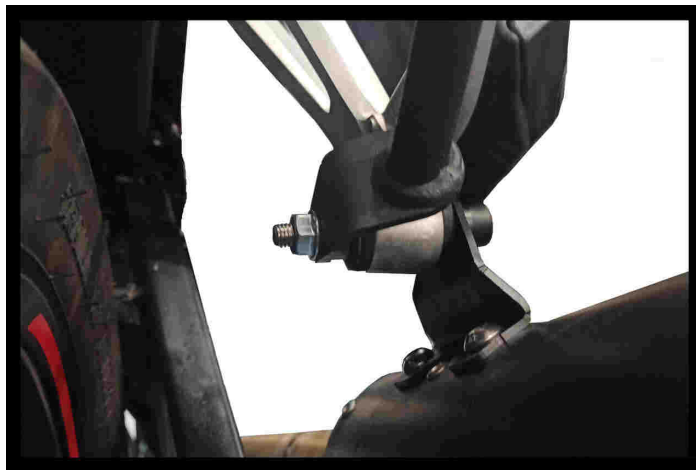
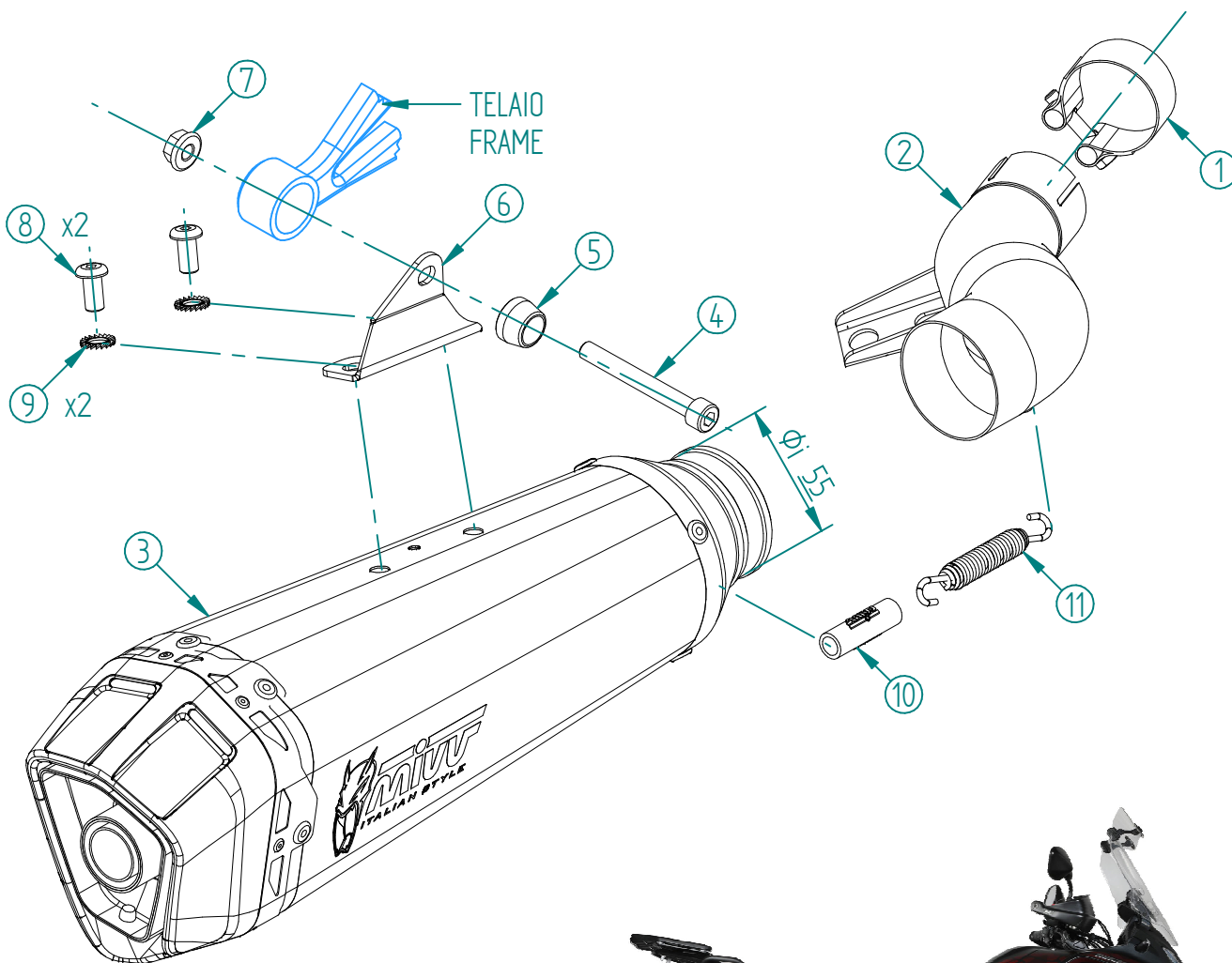


#	DESCRIPTION	PART NUMBER	QTY
1	Fascetta Ø 44/47 mm / Pipe clamp Ø 44/47 mm	50.FA.006.1	1
2	Tubo di raccordo / Link pipe	9773H062S2	1
3	Silenziatore / Muffler db killer 50.DK.119.0	Delta Race Ø55	1
4	Vite M8x65 / Screw M8x65	50.73.603.1	1
5	Rondella in alluminio / Aluminium washer	50.73.857.1	1
6	Staffa / Bracket	50.SS.1410.0	1
7	Dado M8 flangiato / Flanged nut M8	50.73.393.1	1
8	Vite M8 x 16 / Screw M8 x 16	50.73.098.1	2
9	Rondella di sicurezza / Safety washer	50.73.604.1	2
10	Tubo in gomma per molla / Rubber pipe for spring	50.73.210.1	1
11	Molla lunga / Long spring	50.71.080.1	1



APPLICAZIONI / APPLICATIONS		
CODICE / CODE	SILENZIATORE / MUFFLER	TUBO / PIPE
H.084.LDRB	STEEL BLACK	INOX / ST. STEEL
H.084.LDRX	INOX / ST. STEEL	INOX / ST. STEEL

